

ROTAIR

TECHNICAL
DATA SHEET



MDVN 46K

supersilent >

powerful > compact

**PORTABLE
COMPRESSORS**



CONSTRUCTIONS
BUILDING SITES
and much more...



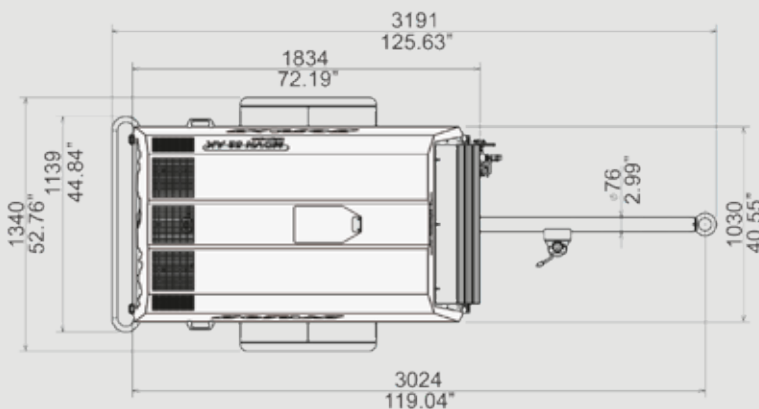
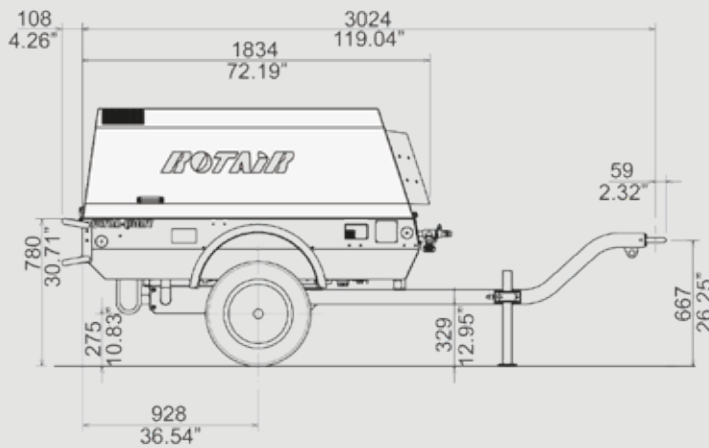
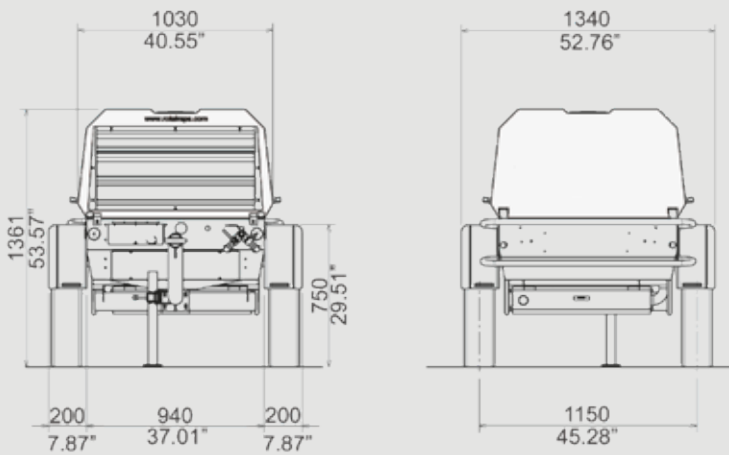
- › Design with modern, slender and aggressive line
- › Electro-galvanized bodywork and chassis with advanced painting procedure to grant an excellent preservation through time
- › Compact dimensions for easy handling and optimum dimensions / delivered power ratio
- › Light weight
- › Filters "spin-on" type for quick maintenance
- › Full accessibility for easy and rapid maintenance and service
- › European homologation for road circulation with and without brakes.

OPTIONS AND ACCESSORIES:

- › Drawbar with/without brakes
- › Caravan-type ball connection
- › Skid version
- › Clog indicator for engine air filter
- › Fuel indicator
- › Sandblasting kit (cooler for compressed air cooling and dew separator)
- › Line oiler for pneumatic tools
- › Warming for compressed air
- › Exclusive Rotair "Fuel Saving System" (saving up to 20% of fuel)



supersilent > MDVN 46K



- › Exclusive pneumatic control system, developed by ROTAIR, to adjust automatically engine revs, depending on the air to be delivered. This system is highly reliable and ensures fuel consumption saving.

- › Start/stop "INTELLIGENT SYSTEM", exclusive from ROTAIR, to prevent the risk of incorrect procedures during specific functioning.

- › Air/oil separator filter, highly oversized, can guarantee an excellent air/oil separation.

- › The air and oil filters of the compressor and the air and oil filters of the engine are independent.

- › Single stage oversized air filter for compressor part, to guarantee good filtering of the air intake by airend.

- › Two-stage air filter for engine part.

- › Combined radiator allowing both compressor oil cooling and engine liquid cooling.



THE RESPECT OF ORDINARY MAINTENANCE INTERVALS AND THE USE OF GENUINE SPARE PARTS ENSURE CONSTANT AND OPTIMAL PERFORMANCES AND RELIABLE DURABILITY THROUGH TIME.

Technical Data

weight (without brakes) >

800 kg
1765 lbs

weight (with brakes) >

856 kg
1888 lbs

COMPRESSOR

(*)= Possibility to have also other operating pressures up to 14/15 bar and Dual Pressure

Operating pressure (*)	7 bar 102 psi	10 bar 145 psi	12 bar 174 psi
Free air delivery	4500 l/min 159 cfm	3650 l/min 129 cfm	3400 l/min 120 cfm
Minimum working pressure	5 bar - 73 psi		
Drive system engine-arend	Direct Drive		
Compressor cooling system	Air / Oil		
Oil cooling capacity	10 lt - 2.2 UK gal		
Air outlet temperature	40°C - 105°F + Ambient temperature		
Outlet valves	2 x 3/4" + 1 x 1/1"		
Noise level EECno 2000/14	< 98 LWA		
Battery capacity	12V cc - 680A-74Ah (EN)		
Fuel tank capacity	50 lt - 11 UK gal		
Consumes	6,5 lt/h - 1.43 UK gal/h (8 working hours)		

DIESEL ENGINE

Engine make	KUBOTA
Engine type	V-2403-M-DI
Engine system	4 strokes - Inline - Direct Injection
Emissions	Stage III A / Tier 4 Interim
Displacement	2434 cc
N. cylinders	4
Aspiration	Natural
Max engine power @3000 RPM	36,5 kW - 49.0 HP
Max engine speed	2700 RPM
Min engine speed	1600 RPM
Cooling system	Water
Cooling system capacity	8 lt - 1.76 UK gal
Lubrication system	Oil
Lubrication system capacity	9,5 lt - 2.09 UK gal

ENVIRONMENTAL CONDITIONS - (Standard Version*)

Max ambient temperature	50°C - 122°F
Max altitude	1800 m a.s.l.
Min working temperature	-10°C / 14°F

powerful > compact

PORTABLE COMPRESSORS



*All images and pictures are indicative. Data can be changed without prior notice.



*For versions with different operating pressures or for requests of machines to be used under particular ambient temperature conditions, data have to be previously asked to our technical dept.



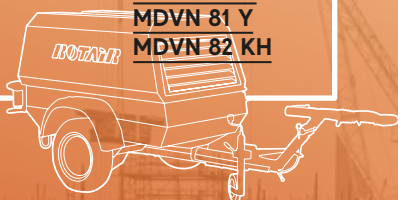
powerful > compact

PORTABLE COMPRESSORS

IN THE
SAME
RANGE

MDVN 22 K
MDVN 26 K
MDVN 31 K / P
MDVN 37 K / P
MDVN 46 K / P
MDVN 46-Eco5
MDVN 53 K / P
MDVN 53-Eco5
MDVN 54 Y
MDVN 72 Y
MDVN 80 Y
MDVN 81 Y
MDVN 82 KH

MDVN 46 K | 07/2021



ROTAIR TECHNOLOGY AND
ENGINEERING SOLUTIONS

Via Bernezzo, 67 - 12023 Caraglio (Cn) - ITALY
Tel: +39 0171.619676 / Fax: +39 0171.619677
www.rotairspa.com | info@rotairspa.com



Azienda
certificata
ISO
9001:2008

ISO 9001
BUREAU VERITAS
Certification

