

**ROTAIR**

TECHNICAL  
DATA SHEET



# MDVN 53K

supersilent >

powerful > compact

**PORTABLE  
COMPRESSORS**



CONSTRUCTIONS  
BUILDING SITES  
and much more...



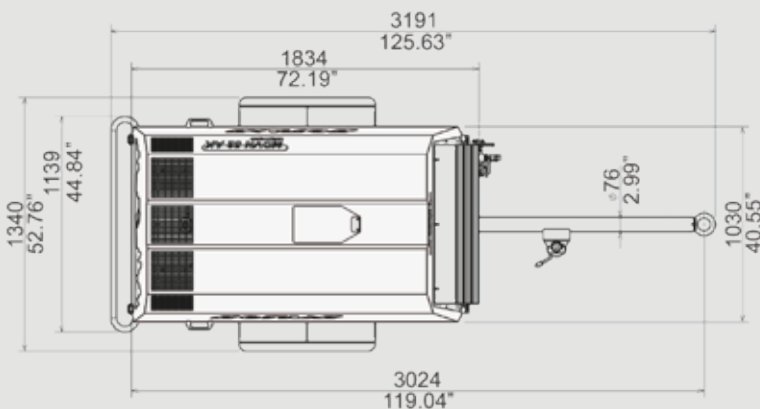
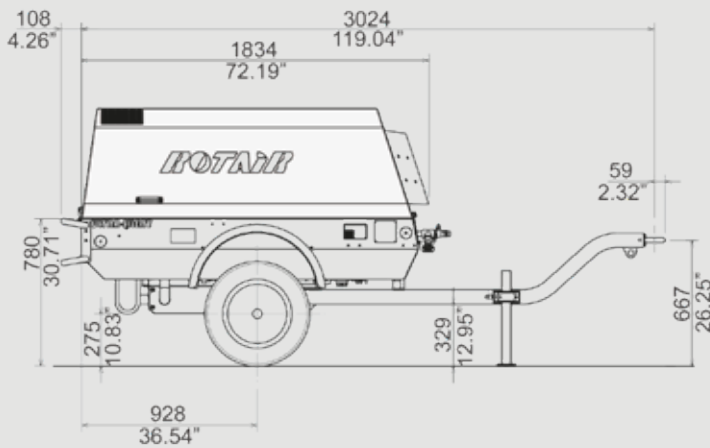
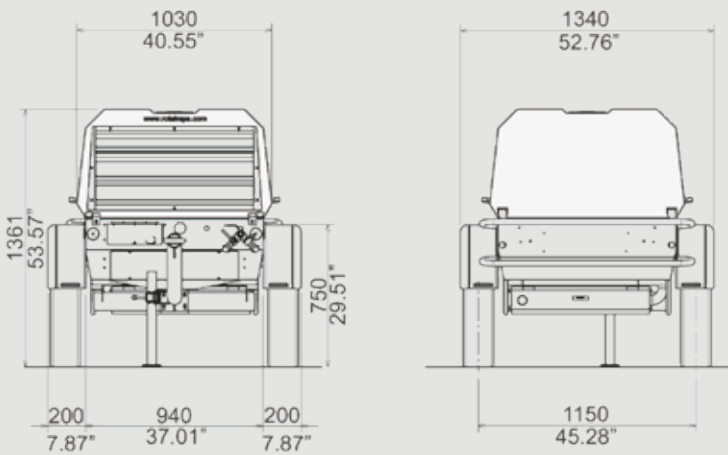
- › Design with modern, slender and aggressive line
- › Electro-galvanized bodywork and chassis with advanced painting procedure to grant an excellent preservation through time
- › Compact dimensions for easy handling and optimum dimensions / delivered power ratio
- › Light weight
- › Filters "spin-on" type for quick maintenance
- › Full accessibility for easy and rapid maintenance and service
- › European homologation for road circulation with and without brakes.

#### OPTIONS AND ACCESSORIES:

- › Drawbar with/without brakes
- › Caravan-type ball connection
- › Skid version
- › Clog indicator for engine air filter
- › Fuel indicator
- › Sandblasting kit (cooler for compressed air cooling and dew separator)
- › Line oiler for pneumatic tools
- › Warming for compressed air
- › Exclusive Rotair "Fuel Saving System" (saving up to 20% of fuel)



supersilent ›  
**MDVN**  
**53 K**



- › Exclusive pneumatic control system, developed by ROTAIR, to adjust automatically engine revs, depending on the air to be delivered. This system is highly reliable and ensures fuel consumption saving.

- › Start/stop "INTELLIGENT SYSTEM", exclusive from ROTAIR, to prevent the risk of incorrect procedures during specific functioning.

- › Air/oil separator filter, highly oversized, can guarantee an excellent air/oil separation.

- › The air and oil filters of the compressor and the air and oil filters of the engine are independent.

- › Single stage oversized air filter for compressor part, to guarantee good filtering of the air intake by airend.

- › Two-stage air filter for engine part.

- › Combined radiator allowing both compressor oil cooling and engine liquid cooling.



**THE RESPECT OF ORDINARY MAINTENANCE INTERVALS AND THE USE OF GENUINE SPARE PARTS ENSURE CONSTANT AND OPTIMAL PERFORMANCES AND RELIABLE DURABILITY THROUGH TIME.**

# Technical Data

weight (without brakes) >

800 kg  
1765 lbs

weight (with brakes) >

856 kg  
1888 lbs

## COMPRESSOR

(\*)= Possibility to have also other operating pressures up to 14/15 bar and Dual Pressure

Operating pressure (*)	7 bar 102 psi	10 bar 145 psi	12 bar 174 psi
Free air delivery	5200 l/min 185 cfm	4150 l/min 147 cfm	3800 l/min 134 cfm
Minimum working pressure	5 bar - 73 psi		
Drive system engine-aiend	Direct Drive		
Compressor cooling system	Air / Oil		
Oil cooling capacity	10 lt - 2.2 UK gal		
Air outlet temperature	40°C - 105°F + Ambient temperature		
Outlet valves	2 x 3/4" + 1 x 1/1"		
Noise level EECno 2000/14	< 98 LWA		
Battery capacity	12V cc - 680A-74Ah (EN)		
Fuel tank capacity	50 lt - 11 UK gal		
Consumes	6,7 lt/h - 1.47 UK gal/h (8 working hours)		

## DIESEL ENGINE

Engine make	KUBOTA
Engine type	V-2403-M-DI
Engine system	4 strokes - Inline - Direct Injection
Emissions	Stage III A / Tier 4 Interim
Displacement	2434 cc
N. cylinders	4
Aspiration	Natural
Max engine power @3000 RPM	36,5 kW - 49.0 HP
Max engine speed	2700 RPM
Min engine speed	1600 RPM
Cooling system	Water
Cooling system capacity	8 lt - 1.76 UK gal
Lubrication system	Oil
Lubrication system capacity	9,5 lt - 2.09 UK gal

## ENVIRONMENTAL CONDITIONS - (Standard Version\*)

Max ambient temperature	50°C - 122°F
Max altitude	1800 m a.s.l.
Min working temperature	-10°C / 14°F

powerful > compact

## PORTABLE COMPRESSORS



\*All images and pictures are indicative. Data can be changed without prior notice.



\*For versions with different operating pressures or for requests of machines to be used under particular ambient temperature conditions, data have to be previously asked to our technical dept.



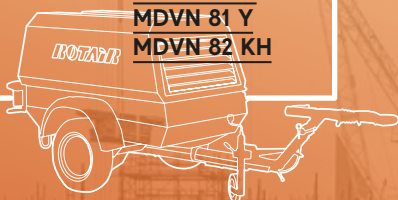
powerful > compact

## PORTABLE COMPRESSORS

IN THE  
SAME  
RANGE

MDVN 22 K  
MDVN 26 K  
MDVN 31 K / P  
MDVN 37 K / P  
MDVN 46 K / P  
MDVN 46-Eco5  
MDVN 53 K / P  
MDVN 53-Eco5  
MDVN 54 Y  
MDVN 72 Y  
MDVN 80 Y  
MDVN 81 Y  
MDVN 82 KH

MDVN 53 K | 07/2021



**ROTAIR** TECHNOLOGY AND  
ENGINEERING SOLUTIONS

Via Bernezzo, 67 - 12023 Caraglio (Cn) - ITALY  
Tel: +39 0171.619676 / Fax: +39 0171.619677  
[www.rotairspa.com](http://www.rotairspa.com) | [info@rotairspa.com](mailto:info@rotairspa.com)



Azienda  
certificata  
ISO  
9001:2008

ISO 9001  
BUREAU VERITAS  
Certification

