

**ROTAIR**

TECHNICAL  
DATA SHEET



**DS**

supersilent ›

**22 Y**

powerful › compact

**PORTABLE  
COMPRESSORS**



IDEAL EQUIPMENT  
FOR HEAVY DUTY  
**SERVICE  
VEHICLES**



- › Industry leading compact, box-type design.
- › Electro-galvanized bodywork and chassis with advanced painting procedure to grant an excellent preservation through time.
- › Easy Service design for maximum accessibility for ease of maintenance.
- › Curbside mounted control panel, adjacent air valves and fluid drains for convenient operation and maximum operator safety.
- › Steel fuel tank, resists cracks, splitting and deformation.

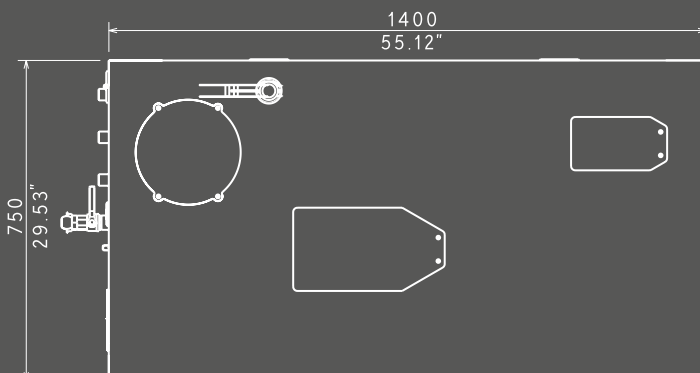
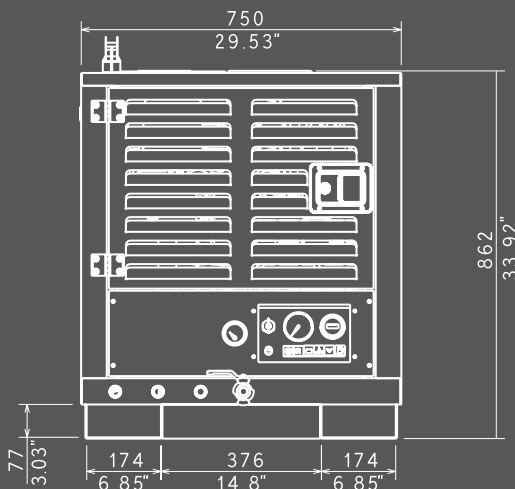
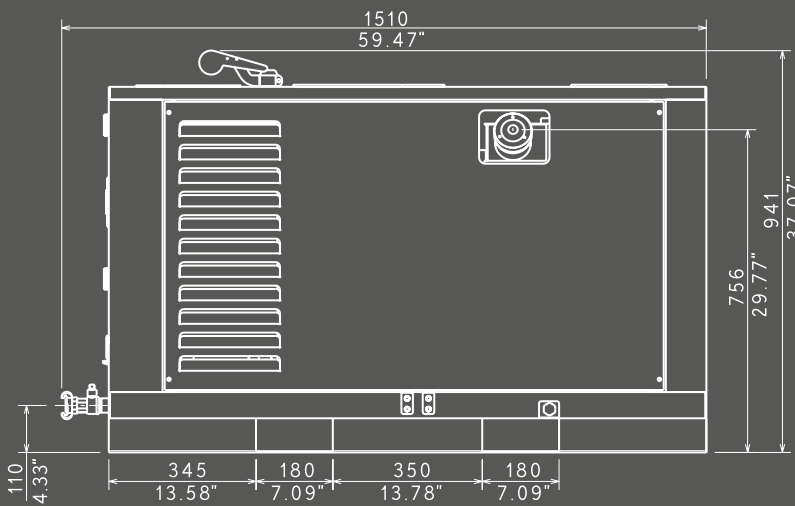
**OPTIONS  
AND ACCESSORIES:**

- › Clog indicator for engine air filter
- › Fuel indicator



supersilent ›

# DS 22 Y



› Quiet and efficient Kubota Tier 2 engine, without costly DPF System.

› Exclusive pneumatic control system, developed by ROTAIR, to adjust automatically engine revs, depending on the air to be delivered. This system is highly reliable and ensures fuel consumption saving.

› Start/Stop "INTELLIGENT SYSTEM", exclusive from ROTAIR, to prevent the risk of incorrect procedures during specific functioning.

› Air/oil separator filter, element inside separator tank, can guarantee an excellent air/oil separation.

› The air and oil filters of the compressor and the air and oil filters of the engine are independent.

› Spin-on engine and compressor oil filters for faster and easier maintenance.

› Single stage oversized air filter for compressor part, to guarantee good filtering of the air intake by airend. As option, Two-stage air filter.

› Two-stage air filter for engine part.

› Combined radiator allowing both compressor oil cooling and engine liquid cooling.



**THE RESPECT OF ORDINARY MAINTENANCE INTERVALS AND THE USE OF GENUINE SPARE PARTS ENSURE CONSTANT AND OPTIMAL PERFORMANCES AND RELIABLE DURABILITY THROUGH TIME.**

# Technical Data

weight >

405 kg  
893 lbs

powerful > compact

## PORTABLE COMPRESSORS

### COMPRESSOR

Operating pressure	7 bar - 102 psi
Free air delivery	2100 lt/min - 74 cfm
Minimum working pressure	5 bar - 73 psi
Drive system engine-airend	Belt
Compressor cooling system	Air / Oil
Oil cooling capacity	5,5 lt - 1.21 UK gal
Air outlet temperature	40°C - 105°F + Ambient temperature
Outlet valves	1 x 3/4"
Battery capacity	12V cc - 55 Ah-270A
Fuel tank capacity	28 lt - 6.16 UK gal
Consumes	4,1 lt/h - 0.9 UK gal/h at maximum power (2,6 lt/h - 0.57 UK gal/h @ 60%)

### DIESEL ENGINE

Engine make	YANMAR
Engine type	3TN V70
Engine system	4 strokes - Inline - Indirect Injection
Emissions	Stage V - NO EPA Tier 4
Displacement	0,854 cc
N. cylinders	3
Aspiration	Natural
Max engine power @3600 RPM	17 kW
Max engine speed	3600 RPM
Min engine speed	1900 RPM
Cooling system	Water
Cooling system capacity	4 lt - 0.88 UK gal
Lubrication system	Oil
Lubrication system capacity	3,4 lt - 0.75 UK gal

### ENVIRONMENTAL CONDITIONS - (Standard Version\*)

Max ambient temperature	50°C - 122°F
Max altitude	1800 m a.s.l.
Min working temperature	-10°C / 14°F

\*All images and pictures are indicative. Data can be changed without prior notice.



\*For versions with different operating pressures or for requests of machines to be used under particular ambient temperature conditions, data have to be previously asked to our technical dept.



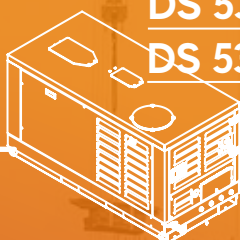
powerful > compact

## PORTABLE COMPRESSORS

IN THE  
SAME  
**BOXED  
RANGE**

**DS 22 Y**  
**DS 31 K**  
**DS 37 K**  
**DS 46 K**  
**DS 53 K**  
**DS 53 Y**

DS 22Y | 09.2021 | Rev.01



**ROTAIR** TECHNOLOGY AND  
ENGINEERING SOLUTIONS

Via Bernezzo, 67 - 12023 Caraglio (Cn) - ITALY  
Tel: +39 0171.619676 / Fax: +39 0171.619677  
[www.rotairspa.com](http://www.rotairspa.com) | [info@rotairspa.com](mailto:info@rotairspa.com)



Azienda  
certificata  
ISO  
9001:2008

