

Ref.: 536010



## PNEUMATIC PISTON OIL PUMP, PUMPMaster 45, PM45 - 10:1, 205 L (55 GAL) DRUMS

PM45 series air operated piston pumps. Double acting air operated moderate pressure pump for very large oil systems or when a low air pressure or cold temperatures would limit pump performance. Built in port for optional pressure relief valve (PN 609 007). Flange mounted pumps. Pump 536 010 can also use bung adaptor (PN 360 006) for bung mounting. Maximum air consumption with 5 bar (72 psi) air inlet pressure and 80 cpm. Maximum noise level measured at 1 m (3.3') from the pump, 7 bar (102 psi) air pressure and free delivery. Instruction book: 853801.

### Technical data

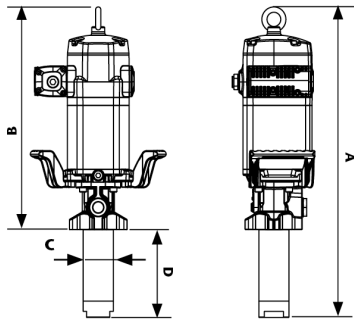
### Documentation

### More information

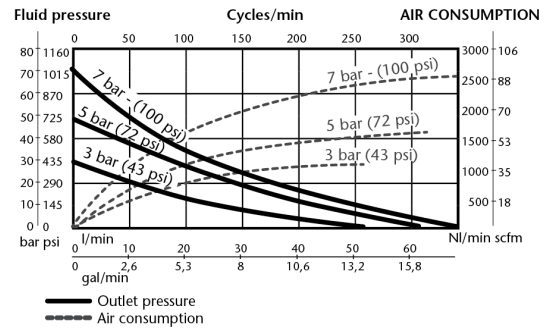
<b>Fluids</b>	Oil
<b>Compatible fluids</b>	Oil, Transmission fluid
<b>Pump mounting</b>	205 l (55 gal) drum bung mounted
<b>Pressure ratio</b>	10:1
<b>Air pressure operating range</b>	1,5-12 bar (21,75-174 psi)
<b>Air consumption</b>	850 NL/min (30 scfm)
<b>Maximum outlet pressure</b>	120 bar (1740 psi)
<b>Air motor effective diameter</b>	115 mm (4,5")
<b>Air motor stroke</b>	100 mm (4")
<b>Delivery per cycle</b>	15 l (4 gal)
<b>Cycles per minute (aprox.)</b>	80 cycles
<b>Delivery</b>	15 l/min (4 gal/min)
<b>Maximum free flow delivery</b>	65 l/min (17,2 gal/min)
<b>Air inlet</b>	1/2" BSP (F)
<b>Fluid inlet</b>	1 1/2" BSP (F)
<b>Fluid inlet type</b>	Ball check
<b>Fluid outlet</b>	3/4" BSP (F)
<b>Wetted materials</b>	Cast iron, Hard chromed steel, Steel, Polyurethane, NBR
<b>Pump tube material</b>	Carbon steel
<b>Sound level</b>	80 dB
<b>Tube height</b>	855 mm (33,7")
<b>Total height</b>	1357 mm (53,4")
<b>Weight</b>	17 kg (37,5 lb)

[Login](#) or [register](#) to consult this content

mm (in)	536 010
A	1.357 (54")
B	502 (20")
C	54 (2")
D	855 (34")



SAE 10, 21 °C (70 °F) CAPACITY CURVE



## Models

Code	Fluids	Pump Mounting	Fluid Outlet	Tube Height	Total Height
536010	Oil	205 l (55 gal) drum bung mounted	3/4" BSP (F)	855 mm (33,7")	1357 mm (53,4")
536031	Oil	Universal stub pump	3/4" NPT (F)	200 mm (7,9")	702 mm (27,6")
536030	Oil	Universal stub pump	3/4" BSP (F)	200 mm (7,9")	702 mm (27,6")
536011	Oil	205 l (55 gal) drum bung mounted	3/4" NPT (F)	855 mm (33,7")	1357 mm (53,4")