

**ROTAIR**

TECHNICAL  
DATA SHEET



# MDVN 37 K

supersilent >

powerful > compact

**PORTABLE  
COMPRESSORS**



CONSTRUCTIONS  
BUILDING SITES  
and much more...

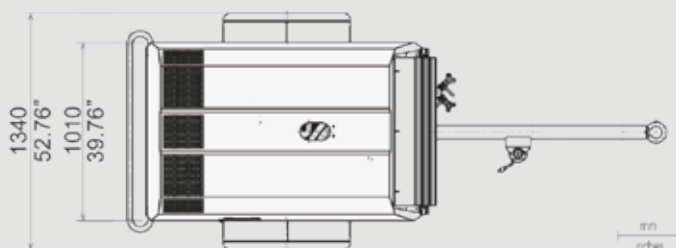
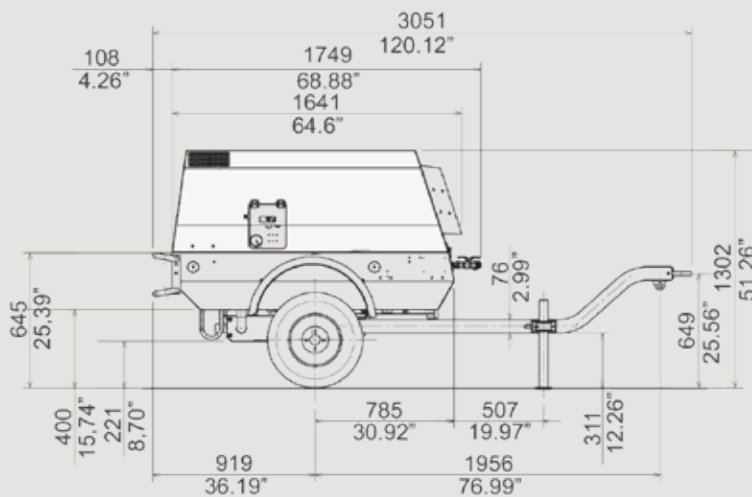
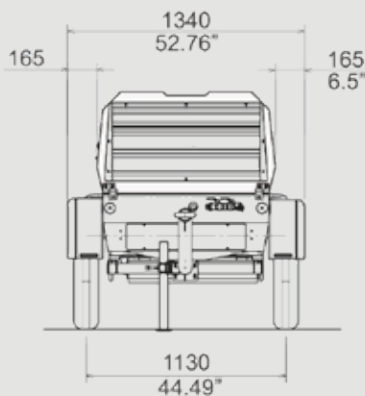


- › Design with modern, slender and aggressive line
- › Electro-galvanized bodywork and chassis with advanced painting procedure to grant an excellent preservation through time
- › Compact dimensions for easy handling and optimum dimensions / delivered power ratio
- › Light weight
- › Filters "spin-on" type for quick maintenance
- › Full accessibility for easy and rapid maintenance and service
- › European homologation for road circulation with and without brakes.

#### OPTIONS AND ACCESSORIES:

- › Drawbar with/without brakes
- › Caravan-type ball connection
- › Skid version
- › Clog indicator for engine air filter
- › Fuel indicator
- › Sandblasting kit (cooler for compressed air cooling and dew separator)
- › Line oiler for pneumatic tools
- › Warming for compressed air
- › Exclusive Rotair "Fuel Saving System" (saving up to 20% of fuel)

supersilent ›  
**MDVN**  
**37 K**



- › Exclusive pneumatic control system, developed by ROTAIR, to adjust automatically engine revs, depending on the air to be delivered. This system is highly reliable and ensures fuel consumption saving.
- › Start/stop "INTELLIGENT SYSTEM", exclusive from ROTAIR, to prevent the risk of incorrect procedures during specific functioning.
- › Air/oil separator filter, highly oversized, can guarantee an excellent air/oil separation.
- › The air and oil filters of the compressor and the air and oil filters of the engine are independent.
- › Single stage oversized air filter for compressor part, to guarantee good filtering of the air intake by airend.
- › Two-stage air filter for engine part.
- › Combined radiator allowing both compressor oil cooling and engine liquid cooling.



**THE RESPECT OF ORDINARY MAINTENANCE INTERVALS AND THE USE OF GENUINE SPARE PARTS ENSURE CONSTANT AND OPTIMAL PERFORMANCES AND RELIABLE DURABILITY THROUGH TIME.**

# Technical Data

weight (without brakes) >

625 kg  
1377 lbs

weight (with brakes) >

650 kg  
1433 lbs

## COMPRESSOR

(\*)= Possibility to have also other operating pressures up to 14/15 bar and Dual Pressure

|                            |                                         |                       |                      |
|----------------------------|-----------------------------------------|-----------------------|----------------------|
| Operating pressure (*)     | 7 bar<br>102 psi                        | 10 bar<br>145 psi     | 12 bar<br>174 psi    |
| Free air delivery          | 3600 l/min<br>127 cfm                   | 2900 l/min<br>102 cfm | 2250 l/min<br>79 cfm |
| Minimum working pressure   | 5 bar - 73 psi                          |                       |                      |
| Drive system engine-airend | Direct Drive                            |                       |                      |
| Compressor cooling system  | Air / Oil                               |                       |                      |
| Oil cooling capacity       | 8,1 lt - 1.78 UK gal                    |                       |                      |
| Air outlet temperature     | 40°C - 105°F + Ambient temperature      |                       |                      |
| Outlet valves              | 2 x 3/4"                                |                       |                      |
| Noise level EECno 2000/14  | < 98 LWA                                |                       |                      |
| Battery capacity           | 12V cc - 680A-74Ah (EN)                 |                       |                      |
| Fuel tank capacity         | 40 lt - 8.8 UK gal.                     |                       |                      |
| Consumes                   | 4,9 lt/h - 1.08 gal/h (8 working hours) |                       |                      |

## DIESEL ENGINE

|                             |                              |
|-----------------------------|------------------------------|
| Engine make                 | KUBOTA                       |
| Engine type                 | V1505-E2B                    |
| Engine system               | 4 strokes - Inline           |
| Emissions                   | Stage III A / Tier 4 Interim |
| Displacement                | 1498 cc                      |
| N. cylinders                | 4                            |
| Aspiration                  | Natural                      |
| Max engine power @3000 RPM  | 26,2 kW - 35.0 HP            |
| Max engine speed            | 3000 RPM                     |
| Min engine speed            | 1600 RPM                     |
| Cooling system              | Water                        |
| Cooling system capacity     | 5 lt - 1.1 UK gal            |
| Lubrication system          | Oil                          |
| Lubrication system capacity | 6 lt - 1.32 UK gal           |

## ENVIRONMENTAL CONDITIONS - (Standard Version\*)

|                         |               |
|-------------------------|---------------|
| Max ambient temperature | 50°C - 122°F  |
| Max altitude            | 1800 m a.s.l. |
| Min working temperature | -10°C / 14°F  |

powerful > compact

## PORTABLE COMPRESSORS



\*All images and pictures are indicative. Data can be changed without prior notice.



\*For versions with different operating pressures or for requests of machines to be used under particular ambient temperature conditions, data have to be previously asked to our technical dept.



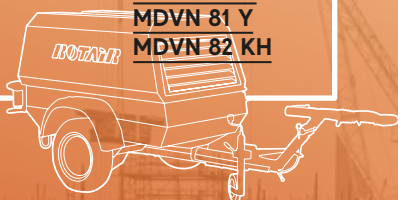
powerful > compact

## PORTABLE COMPRESSORS

IN THE  
SAME  
RANGE

MDVN 22 K  
MDVN 26 K  
MDVN 31 K / P  
MDVN 37 K / P  
MDVN 46 K / P  
MDVN 46-Eco5  
MDVN 53 K / P  
MDVN 53-Eco5  
MDVN 54 Y  
MDVN 72 Y  
MDVN 80 Y  
MDVN 81 Y  
MDVN 82 KH

MDVN 37 K | 07/2021



**ROTAIR** TECHNOLOGY AND  
ENGINEERING SOLUTIONS

Via Bernezzo, 67 - 12023 Caraglio (Cn) - ITALY  
Tel: +39 0171.619676 / Fax: +39 0171.619677  
[www.rotairspa.com](http://www.rotairspa.com) | [info@rotairspa.com](mailto:info@rotairspa.com)



Azienda  
certificata  
ISO  
9001:2008

ISO 9001  
BUREAU VERITAS  
Certification

